

# T.I.S.

## PN 10 - Art. A012 TIS1

### SARACINESCA A GHIGLIOTTINA BIDIREZIONALE ASTA NON SALIENTE PN10

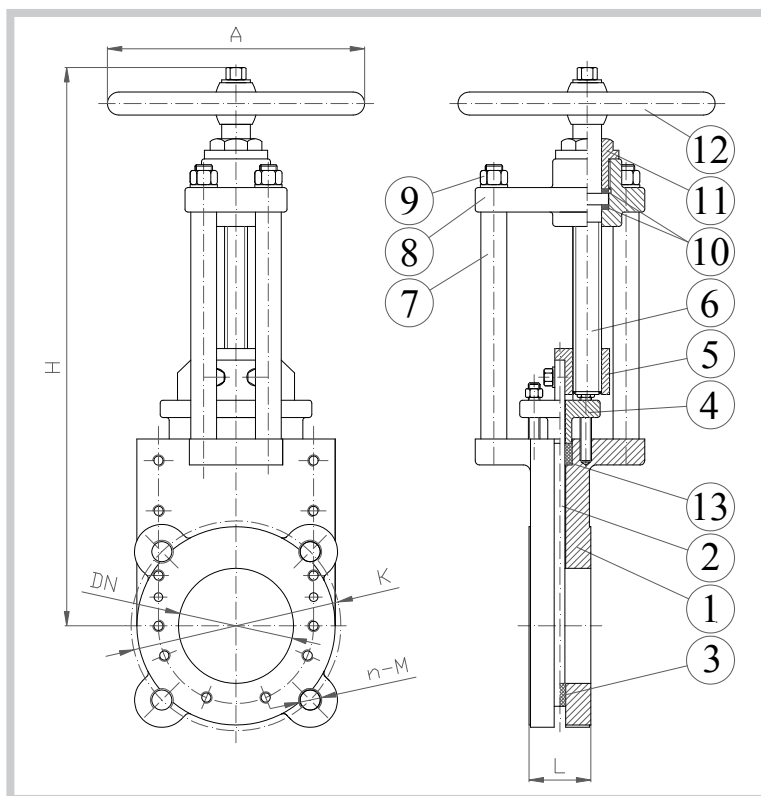
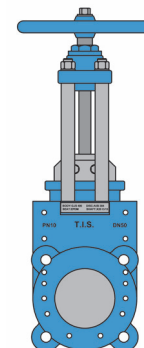
#### KNIFE GATE VALVE BIDIRECTIONAL TYPE NON-RISING STEM PN10

#### APPLICAZIONE:

Fornitura e distribuzione acqua, trattamento acque reflue e sistemi fognari, settori industriali.

#### APPLICATION:

Water supply and distribution, waste water treatment and sewerage.



#### NORMA PROGETTO:

#### SCARTAMENTO:

#### FLANGE:

#### COLLAUDI:

#### TEMP. ESERCIZIO:

EN 1171

EN 558 Serie 20

Forate secondo EN 1092-2

EN 12266-1

Max +70°C

#### DESIGN STANDARD:

#### FACE TO FACE:

#### FLANGES:

#### TESTS:

#### WORKING TEMP.:

EN 1171

EN 558 Series 20

Drilled according to EN 1092-2

EN 12266-1

Max +70°C

#### PRESSIONI D'ESERCIZIO/WORKING PRESSURE:

DN50-300 PN10

DN350-400 PN8

DN450-DN600 PN6

DENOMINAZIONE PART	MATERIALI MATERIALS
1 CORPO BODY	EN-GJS 400-15 EN-GJS 400-15
2 PARATIA KNIFE	ACC.INOX AISI 304 (EN 1.4301) SS AISI 304 (EN 1.4301)
3 GUARNIZIONE GASKET	GOMMA NBR NBR RUBBER
4 PREMISTOPPA PACKING GLAND	EN-GJS 400-15 EN-GJS 400-15
5 MADREVITE STEM NUT	OTTONE BRASS
6 ASSE STEM	ACC.INOX AISI 420 (EN 1.4021) SS AISI 420 (EN 1.4021)
7 SUPPORTO TIE ROD	ACCIAIO INOX STAINLESS STEEL
8 COPERCHIO COVER	EN-GJS 400-15 EN-GJS 400-15
9 DADO NUT	ACCIAIO INOX A2 STAINLESS STEEL A2
10 RONDELLA WASHER	PTFE PTFE
11 BOCCOLA DI TENUTA PACKING GLAND	OTTONE BRASS
12 VOLANTINO HANDWHEEL	EN-GJL 250 EN-GJL 250
13 BADERNA PACKING	PTFE PTFE

DN	K	n-M	L	H	A	W (kg)
50	125	4-M16	43	290	180	9
65	145	4-M16	46	295	180	11
80	160	8-M16	46	320	200	13
100	180	8-M16	52	365	250	17
125	210	8-M16	56	405	300	26
150	240	8-M20	56	478	300	32
200	295	8-M20	60	545	350	44
250	350	12-M20	68	692	400	70
300	400	12-M20	78	785	500	97
350	460	16-M20	78	892	500	140
400	515	16-M24	102	998	600	207
450	565	20-M24	114	1422	600	250
500	620	20-M24	127	1565	600	300
600	725	20-M27	154	1700	600	400

**RIVESTIMENTO ESTERNO/INTERNO:** Polvere epossidica di colore blu RAL 5017 con spessore 200µm.

**SURFACE PROTECTION:** FBE coating process with epoxy resin powder of blue colour RAL 5017 and thickness of 200µm.